

322 C 5204

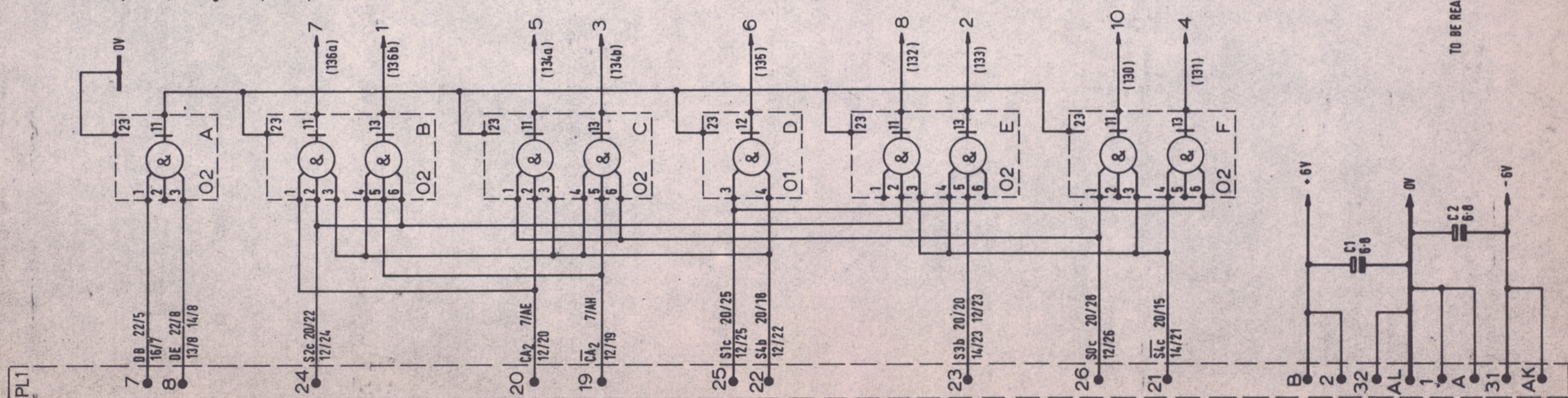
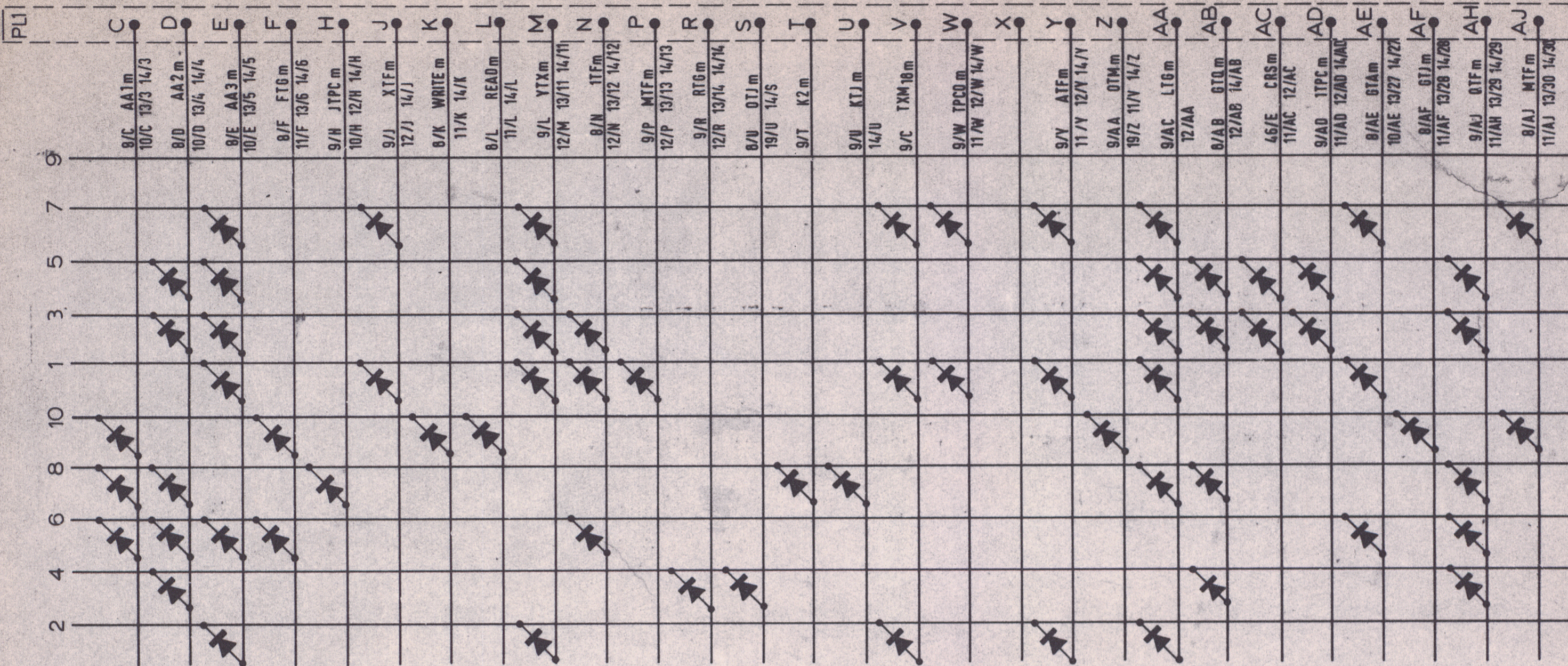
THIRD ANGLE PROJECTION

DIMENSIONS IN INCHES UNLESS OTHERWISE STATED

DO NOT SCALE DRAWING

USED ON
C4072

33



TO BE READ IN CONJUNCTION WITH 322A7191
 TITLE: BOARD A-GG POS. 13
 CONTROL MATRIX
 FUNCTION 13

LATEST MI INCORPORATED MI... 2133

2998

ISSUE No.	1
ALTERATION No.	1740
DATE	14.7.66
INITIALS	L.J.E
PARTS LIST No.	
DRAWN	C.J. EVERETT
CHECKED	CS 636
APPROVED	7-11-66

MATERIAL _____ FINISH _____

© Elliott Brothers (London) Limited
 THIS DRAWING IS THE PROPERTY OF
 ELLIOTT BROTHERS (LONDON) LIMITED
 AND MAY NOT BE COPIED, REPRODUCED
 OR TRANSMITTED IN ANY FORM OR BY
 ANY MEANS WITHOUT THE WRITTEN
 AUTHORIZATION OF ELLIOTT BROTHERS
 (LONDON) LIMITED.

TOLERANCES
 LINEAR
 UNMACHINED SURFACES ±
 MACHINED SURFACES ±
 ANGULAR DIMENSIONS ±
 UNLESS OTHERWISE STATED

ELLIOTT BROTHERS (LONDON) LTD

TITLE
 BOARD A-GG POS. 13
 CONTROL MATRIX
 FUNCTION 13

SCALE _____
 DRAWING No.
 322 C5204